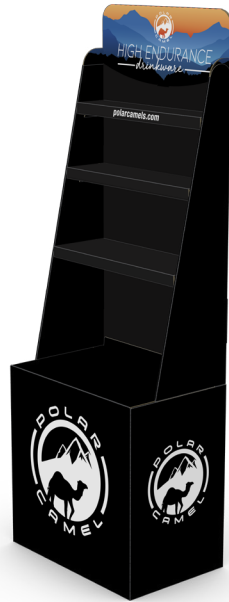
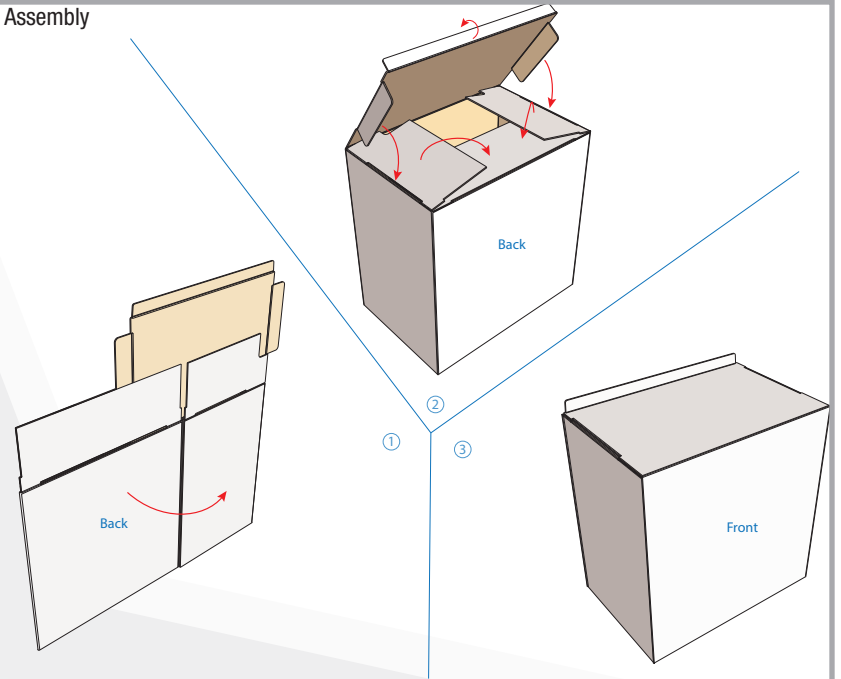


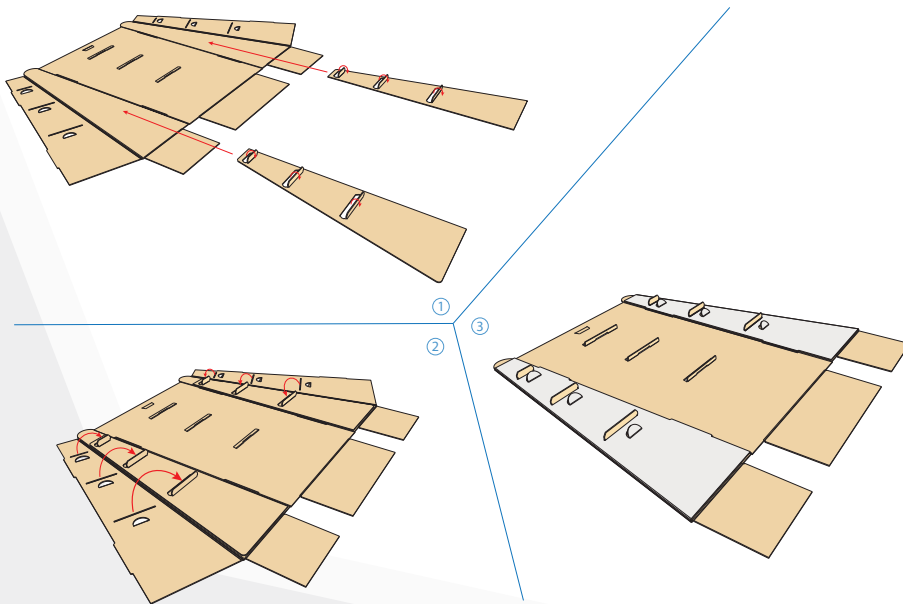
Polar Camel Tall Display Assembly Instructions



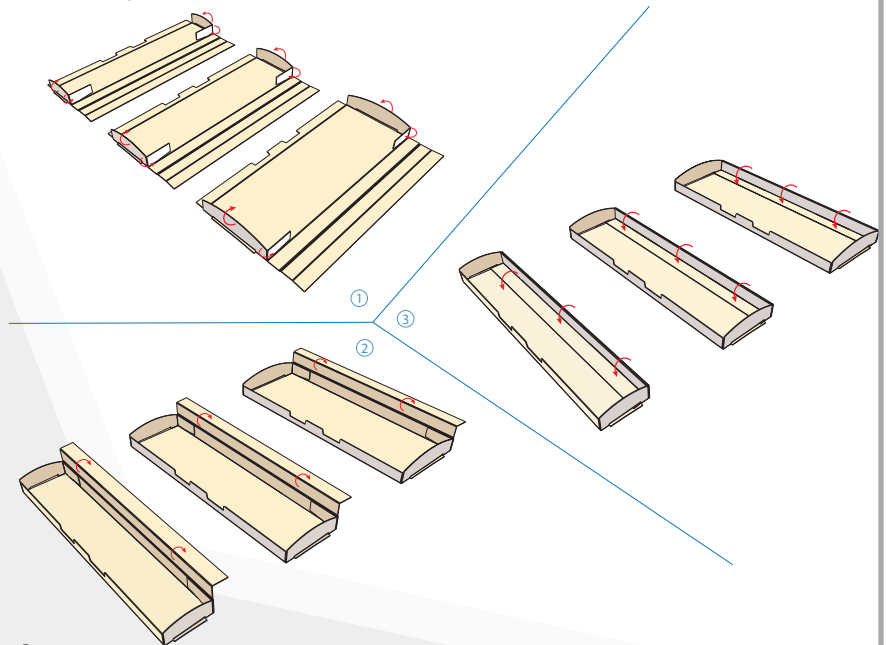
Base Assembly



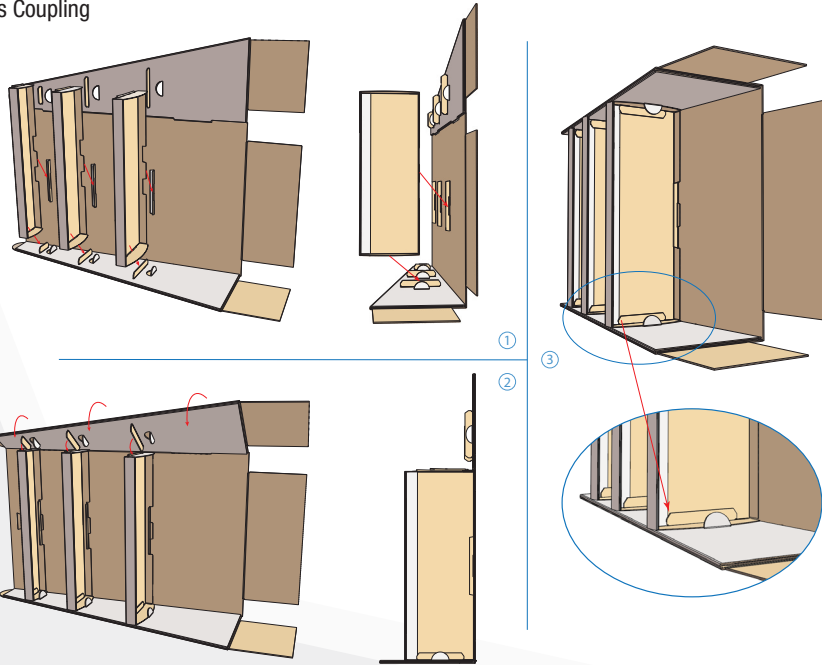
Body Assembly



Shelves Assembly

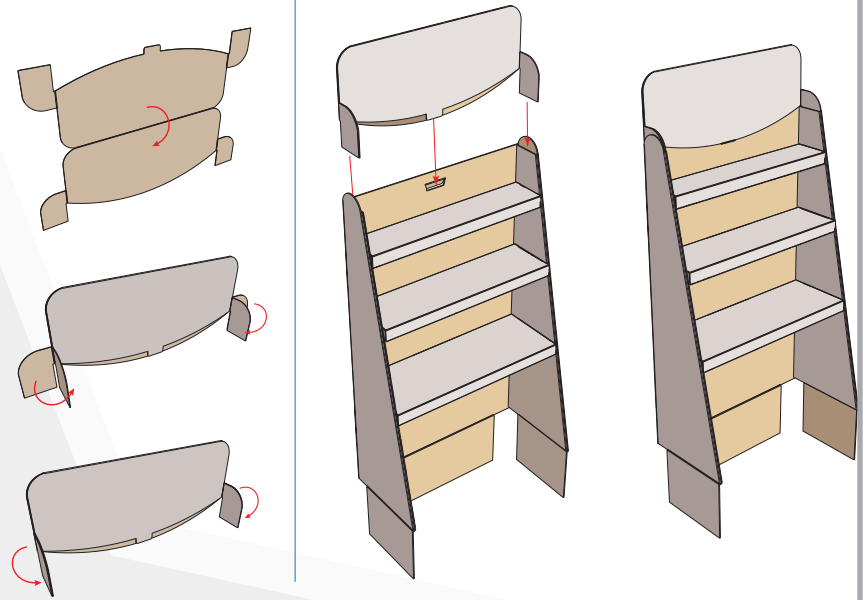


Shelves Coupling



Page 4

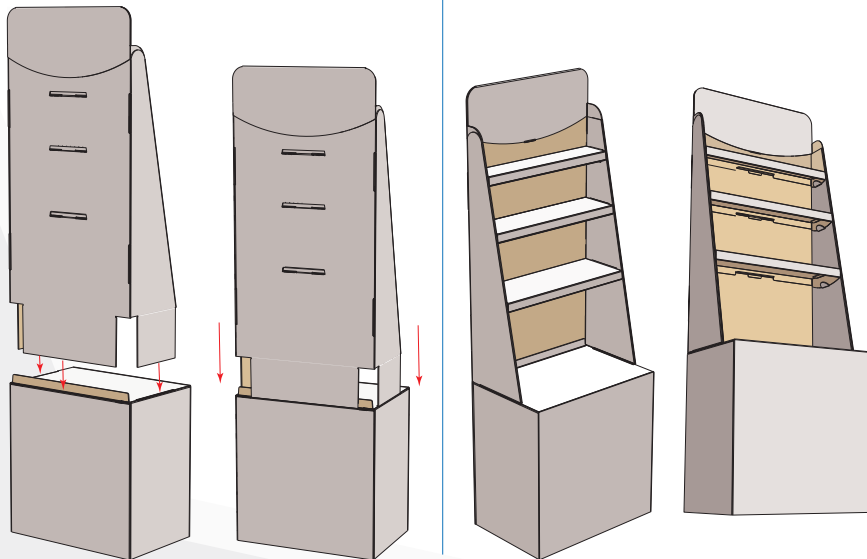
Header Coupling



Page 5

Body to Base Coupling

Fully Assembled Display



Page 6

Scan for an Instructional
How-To Video of the
POP Display Assembly.

